

Contents

Ready Reckoner	2
Jarrett Winch Selection Guide	3
At a glance	4
Rolling Load Capacity	6
Safety Information	7
Boat Trailer Winches	
1:1 ratio model (200kg)	8
3:1 ratio model (500kg)	10
5:1 ratio model (500kg-700kg)	12
2 speed 5:1 / 1:1 ratio model (700kg)	14
3 speed 10:1 / 5:1 / 1:1 ratio model (800kg-1000kg)	16
X6 Fibre Rope – General Information	18

Please note that all goods are supplied by Advansa Pty Ltd to the Purchaser for use only in applications and purposes for which they were originally designed. Advansa Pty Ltd is not liable for any consequential loss whatsoever from improper or inappropriate use of the goods supplied, where the goods are used for purposes beyond or outside of the scope of application for which they were designed and which exceeds their designed performance limit. At all times please consult Advansa Pty Ltd if unsure of the suitability of the goods for your intended application.

Jarrett Winches and Cranes - Warranty

Our goods come with guarantees that cannot be excluded under the Australian Consumer Law. You are entitled to a replacement or refund for a major failure and compensation for any other reasonably foreseeable loss or damage. You are also entitled to have the goods repaired or replaced if the goods fail to be of acceptable quality and the failure does not amount to a major failure.

Advansa Pty Ltd Winch Warranty Policy: The Warranty is for the period of twelve months on Jarrett winches / cranes providing it is used for the purpose that it was designed for. Any repairs, alterations, modifications or misuse of the winches / cranes will void the warranty. Winches / cranes will be repaired under warranty providing proof of purchase is supplied. No credits or replacements will be issued except with approval from Advansa Pty Ltd.

Should you wish to make a claim under this guarantee, the product and proof of purchase must be returned pre-paid by you to the place of purchase.

The Company will liaise with Advansa Customer Service (Ph: 08 8243 9100) as to the appropriate action for remedy, detailing

- Consumer name, address and contact number
- Product description, product code, serial number(s) and warranty issue

Where appropriate, the Customer Service Department will advise the Company of the method to return the product to Advansa. The freight cost from Advansa's customer to Advansa will be at Advansa's expense. On receipt of the defective product, either the repaired product or a replacement product will then be delivered to the Company at Advansa's expense.

All other related expenses will not be borne by Advansa.

The benefits to the consumer given by the warranty are in addition to other rights and remedies of the consumer under a law in relation to the goods to which the warranty relates.

Jarrett Boat Trailer Winches are not designed (1) for lifting, (2) for the movement of people and (3) as a load securing device for boats on trailers

Ready Reckoner

SCOPE : BOAT TRAILER WINCHES

PURPOSE : TO PROVIDE THE CUSTOMER WITH READY HAND INFORMATION ON SELECTION OF WINCHES FOR DIFFERENT USAGES, DO'S AND DON'T'S BEFORE, DURING & AFTER USING A WINCH

Definition of a Winch:

"A mechanical device for hauling, pulling or lifting, consisting essentially of a movable drum around which a cable is wound so that rotation of the drum produces a drawing force at the end of the cable."

"Winches are equipped with a ratchet wheel and a pawl to prevent slippage of the load, and brake winches allow a load to be lowered or released at a controlled rate."

Winches are used in many applications including boat lifts, retractable swing keels, rural industry, etc.

CHOOSING A WINCH

One of the first things to safe winching is to choose the right winch to fit your needs. To choose the correct winch you need the following information:

- * To what is the winch secured to?
- * What is the item being winched?
- * Is it a non-rolling load or a rolling load (refer Q. 2 below)?
- * What is the weight of that load?
- * Are there any inclines (e.g., ramps, hills, etc) to consider?
- * The distance between winch and item to be winched?
- * Is the item to be lifted / lowered or pulled / released?

Below are 4 Key Questions and Answers to help you decide your winch requirements:

1. Do I need to pull or lift something?

While on the surface a winch and a hoist may look the same, they're not. The primary difference is that a winch is a tool designed to pull a load, typically, horizontally; a hoist is designed to lift it, almost always, vertically. Choosing the right tool helps ensure that you'll get the job done in the most efficient and safest manner possible.

2. How heavy is the load going to be and is it a rolling load or non rolling load?

Non rolling loads must take into account the surface and grade that they are on. This requires greater pulling capacity since the winch will have to overcome the friction of the surface as well as the load it self. As a rule of thumb, take the gross weight of the load and multiply it by 1.5 times - this will give you the minimum capacity of the winch needed.

Rolling loads, however, require less mechanical effort to move the load once the initial inertia has been overcome. For rolling loads where an incline is involved, such as pulling equipment and vehicles onto trailers, the percent of grade affects the "load" the winch can pull.

3. How will it be anchored / mounted?

To a fixed location such as a trailer or machinery or a more temporary use such that it is moved from place to place? A winch or hoist must have a point to pull against. It must be able to handle the full weight of the object being moved. For maximum capacity, winches are to be installed using the bolt hole pattern on the winch base.

4. What do I need to attach my load?

The shackle is a safe means for connecting the looped ends of cables, straps and chains. It also provides a safe place to connect the winch hook.

MAINTENANCE

- Inspect the cable or rope before and after each winching operation. If the cable is kinked or frayed, replace it. Inspect the winch hook and hook pin for signs of wear or damage and replace if necessary.
- Using a light oil on the cable and winch hook can keep rust and corrosion from forming.

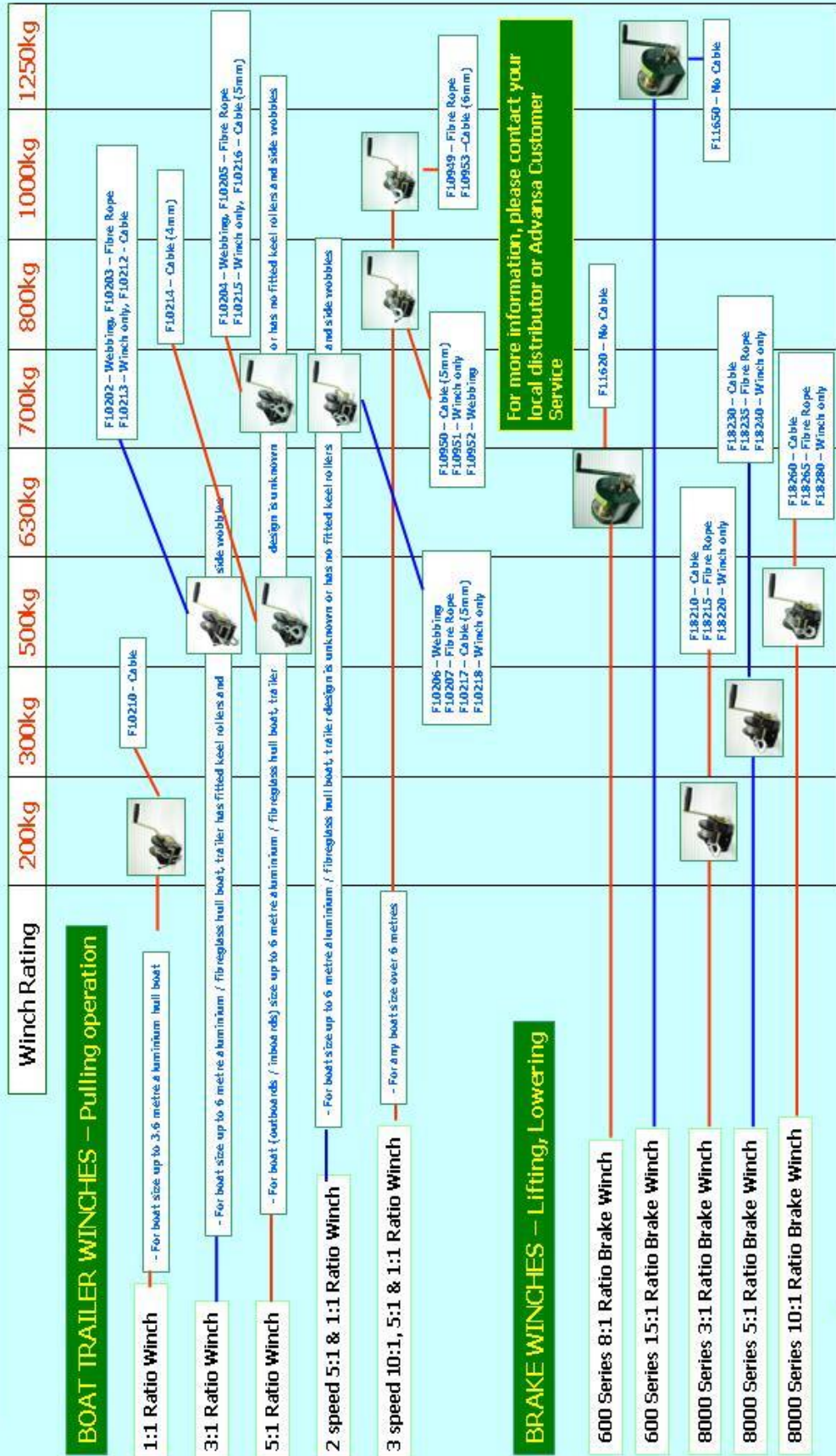
GENERAL USAGE AND SAFETY TIPS

- Do not operate the winch while under the influence of alcohol and/or drugs.
- Always keep hands and clothing clear of the cable, hook and fairlead opening during operation and when spooling.
- Do not use the winch to lift, lower or transfer people from one location to another.
- Be sure that everyone in the immediate vicinity is aware of your intentions before you pull.
- Keep spectators clear from work area.
- All equipment must be used in accordance with the Owner's Manual. Read and understand operating instructions before using the winch.
- Do not use general purpose winches for lifting applications - use a suitable brake winch.
- Never lift or pull more than the rated capacities of the winch.
- Ensure cables or webbing are correctly secured before using the winch.
- Never apply a load on a winch with the cable / webbing / rope fully extended, always ensure there is at least three full wraps of cable / webbing / rope on the drum at all times.
- Examine all equipment and do not use if it is damaged. Repair or replace any defective parts.
- Never put oil or grease on the braking mechanism of the brake winch.
- Never disengage the clutch while the cable is under tension. Never engage the clutch while the drum is rotating. Always make sure the clutch is fully engaged or disengaged.
- Never winch when there are less than three wraps of cable / rope around the winch drum.
- Winch out slowly and steadily. Be sure that the cable is winding evenly and tightly around the spooling drum.
- Never use the winch as a hoist. Never use the winch's cable / rope to tow another vehicle.

Jarrett Boat Trailer Winches are not designed (1) for lifting, (2) for the movement of people and (3) as a load securing device for boats on trailers

Jarrett

BOAT TRAILER WINCHES & BRAKE WINCHES - WINCH SELECTION GUIDE -



Advansa Pty Ltd 259 Malvern Street, Melbourne 3000 (T) +61 (0)8 8243 9100 (F) +61 (0)8 8243 9185 Email: sales@advansa.com.au Web: www.advansa.com.au Toll Free Sales: 1 300 135 935



Jarrett Boat Trailer Winches are not designed (1) for lifting, (2) for the movement of people and (3) as a load securing device for boats on trailers

AT A GLANCE

Boat Trailer Winch

Product Code	Model	Cable / Fibre Rope size	Supplied length	Max. length	w/ Cover	Gear ratio	Application	Rated Capacity	Breaking strain	Max. effort on handle @ rated load
1:1 ratio model (200kg)		These winches are recommended for boat size up to 3.6 metre aluminium hull boat								
F10210	Cable	4mm	6m	20m		1:1	Pulling	200kg (1960N)	1269kg	25kg
3:1 ratio model (500kg)		These winches are recommended for boat size up to 6 metres, aluminium or fibreglass hull boat, where trailer has fitted keel rollers and side wobbles.								
F10202	Webbing		6m	9m		3:1	Pulling	500kg (4900N)	2070kg	20kg
F10203	Fibre Rope		6m	12m		3:1	Pulling	500kg (4900N)	2050kg	20kg
F10213	Winch only					3:1	Pulling	500kg (4900N)		20kg
F10212	Cable	4mm	6m	20m		3:1	Pulling	500kg (4900N)	1269kg	20kg
5:1 ratio model (500kg - 700kg)		These winches are recommended for boat (outboards and inboards) size up to 6 metres, aluminium or fibreglass hull boat, where trailer design is unknown or has no keel rollers or side wobbles.								
F10204	Webbing		6m	9m		5:1	Pulling	700kg (6860N)	2070kg	25kg
F10205	Fibre Rope		6m	12m		5:1	Pulling	700kg (6860N)	2050kg	25kg
F10214	Cable	4mm	6m	20m		5:1	Pulling	500kg (4900N)	1269kg	25kg
F10215	Winch only					5:1	Pulling	700KG (6860N)		25kg
F10216	Cable	5mm	6m	15m		5:1	Pulling	700kg (6860N)	1855kg	25kg
F10204WC	Webbing		6m	9m		5:1	Pulling	700kg (6860N)	2070kg	25kg
2 speed 5:1 / 1:1 ratio model (500kg - 700kg)		These winches are recommended for boat size up to 6 metres, aluminium or fibreglass hull boat, where trailer design is unknown or has no keel rollers or side wobbles.								
F10206	Webbing		6m	9m		5:1 / 1:1	Pulling	700kg (6860N)	2070kg	25kg
F10207	Fibre Rope		6m	12m		5:1 / 1:1	Pulling	700kg (6860N)	2050kg	25kg
F10218	Winch only					5:1 / 1:1	Pulling	700kg (6860N)		25kg
F10217	Cable	5mm	6m	15m		5:1 / 1:1	Pulling	700kg (6860N)	1885kg	25kg
F10206WC	Webbing		6m	9m		5:1 / 1:1	Pulling	700kg (6860N)	2070kg	25kg

Jarrett Boat Trailer Winches are not designed (1) for lifting, (2) for the movement of people and (3) as a load securing device for boats on trailers

Boat Trailer Winch continued

Product Code	Model	Cable / Fibre Rope size	Supplied length	Max. length	w/ Cover	Gear ratio	Application	Rated Capacity	Breaking strain	Max. effort on handle @ rated load
F10952	Webbing		7.5m	9m		10:1 / 5:1 / 1:1	Pulling	800kg	2070kg	18kg
F10949	Fibre Rope	6mm	7.5m	12m		10:1 / 5:1 / 1:1	Pulling	1000kg	2050kg	18kg
F10951	Winch only					10:1 / 5:1 / 1:1	Pulling	800kg - 1000kg		18kg
F10950	Cable	5mm	7.5m	15m		10:1 / 5:1 / 1:1	Pulling	800kg	1855kg	18kg
F10953	Cable	6mm	7.5m	12m		10:1 / 5:1 / 1:1	Pulling	1000kg	2712kg	18kg
F10952WC	Webbing		7.5m	9m		10:1 / 5:1 / 1:1	Pulling	800kg	2070kg	18kg

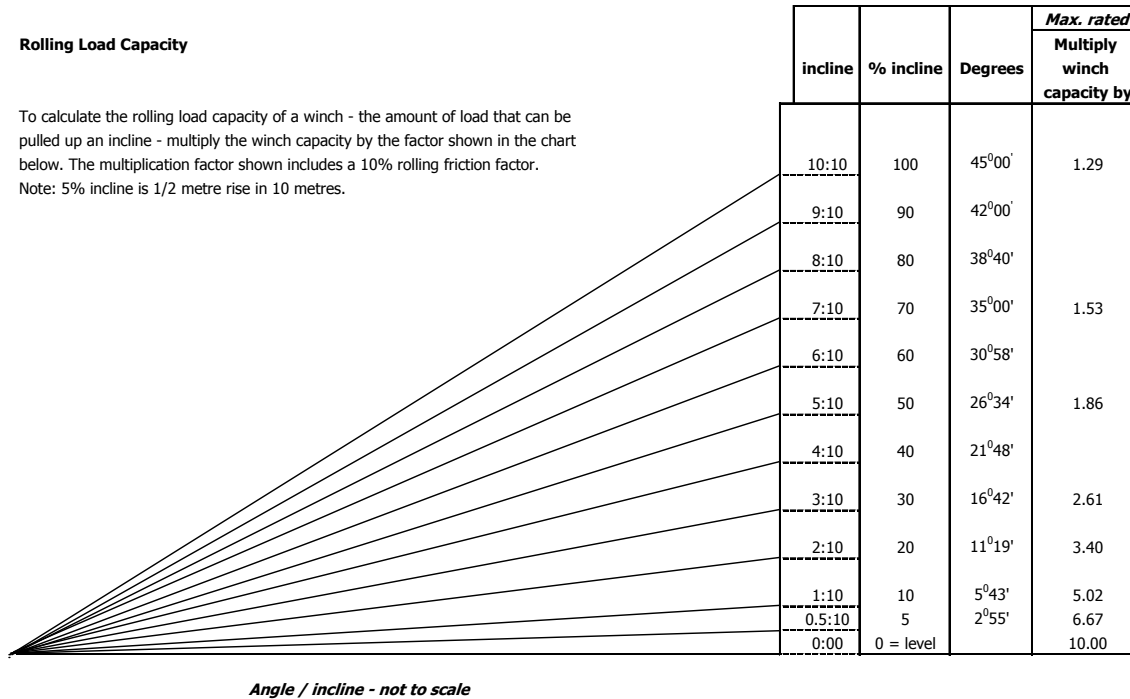
3 speed 10:1 / 5:1 / 1:1 ratio model (800kg – 1000kg) These winches are recommended for any boat size over 6 metres. 3 in 1 ratio winch, 1:1 for fast retrieval of slack cable, 5:1 ratio which should retrieve the boat approx. two thirds up the trailer, when handle effort becomes uncomfortable, then use 10:1 ratio to complete the retrieval of the boat.

Jarrett Boat Trailer Winches are not designed (1) for lifting, (2) for the movement of people and (3) as a load securing device for boats on trailers

Rolling Load Capacity of a Winch

Rolling Load Capacity

To calculate the rolling load capacity of a winch - the amount of load that can be pulled up an incline - multiply the winch capacity by the factor shown in the chart below. The multiplication factor shown includes a 10% rolling friction factor.
 Note: 5% incline is 1/2 metre rise in 10 metres.



Angle / incline - not to scale

A commonly used ratio of boat size to winch capacity is 2 to 1. However, the ratio can be stretched to 3 to 1 using a trailer in excellent condition.

A **guide** to the rolling load (pulling) capacity of a winch (in excellent condition) pulling a boat onto a trailer equipped with fitted keel rollers and side wobblers (in good condition) is as per the following table. For example, a 300kg winch can pull a 900kg boat onto a trailer (equipped with fitted keel rollers and side wobblers) with a 10 degree incline (i.e. 20% incline).

The ratio should be reduced to 1 to 1 on trailers with wooden bunks and no self-alignment capabilities.

Max. Rolling Load (Pulling) capacity of winch (kg) with a trailer in excellent condition

% incline of trailer	Rated capacity of the winch					
	200kg	300kg	500kg	700kg	800kg	1000kg
0	2000	3000	5000	7000	8000	10000
5	1300	2000	3300	4600	5300	6600
10	1000	1500	2500	3500	4000	5000
20	650	1000	1700	2350	2700	3300
30	500	750	1250	1750	1900	2500
50	350	550	900	1300	1450	1850
70	300	450	750	1000	1200	1500
100	250	350	600	850	1000	1250

Jarrett Boat Trailer Winches are not designed (1) for lifting, (2) for the movement of people and (3) as a load securing device for boats on trailers

Important Safety Information

DO the following:

Read carefully and comply with the guidelines set forth in the Owner's Manual.

Keep hands away from the drum, gears, wire cable, and other moving parts of the equipment.

Keep all unnecessary personnel away from the winch while in operation.

Keep out of the path of the load should the wire cable break and snap back and cause injury.

DO NOT do the following:

Do not lift people, or objects over people. Do not walk or work under a load or in the line of force of any load.

Do not exceed the load rating of the winch or any other component in the system. To do so could result in failure of the equipment.

Do not use more than one winch to move a load that exceeds the load rating of a single winch. A shift in load weight could overload the equipment.

Do not use damaged or malfunctioning equipment. To do so could result in failure of the equipment.

Do not modify the equipment in any way. To do so could cause equipment failure.

Do not apply a load on the winch with the wire cable / fibre rope fully extended. Keep at least three full turns of cable / fibre rope on the drum.

Do not wrap the wire cable / fibre rope around the load. This may damage the wire cable / fibre rope and could cause the load to fall. Use a sling or other approved lifting device.

Do not operate the winch with guards removed or improperly installed.

Do not divert your attention from the operation. Stay alert to the possibility of accidents, and try to prevent them from happening.

Do not jerk or swing the load. Avoid shock loads by starting and stopping the load smoothly. Shock loads overload the equipment and may cause damage.

Do not leave a suspended load unattended unless specific precautions have been undertaken and keep people away from the winch and out from under the load.

Please note that all goods are supplied by the Advansa to the Customer for use only in applications and purposes for which they were originally designed. Advansa is not liable for any consequential loss whatsoever from improper or inappropriate use of the goods supplied, where the goods are used for purposes beyond or outside of the scope of application for which they were designed and which exceeds their designed performance limit. At all times please consult Advansa if unsure of the suitability of the goods for your intended application.

Boat Trailer Winch

1:1 ratio model (200kg)

Model:

Cable (Ø4mm)	F10210
Gear Ratio	1:1
Application	Pulling
Rated Capacity	200kg (1960N)
Mass (Winch only)	3kg
Type of Ratchet	Lever Action
Drum Diameter	50mm
Flange Diameter	127mm
Drum Width	52mm
Maximum Cable capacity	20m x Ø4mm
Max. Effort on handle at Rated Load	25kg
Breaking Strain – Cable (Ø4mm)	1270kg
Cable (Galv) as supplied	6m x Ø4mm
Fastening Device	S-Hook



Note: These winches are not to be used for lifting

Features include:

Heavy duty 4mm winch body, Steel bushes, Machined gears, Spare parts available, Electroplated zinc cobalt, Powder coated finish

- "S" hook is not as secure as the snap hook

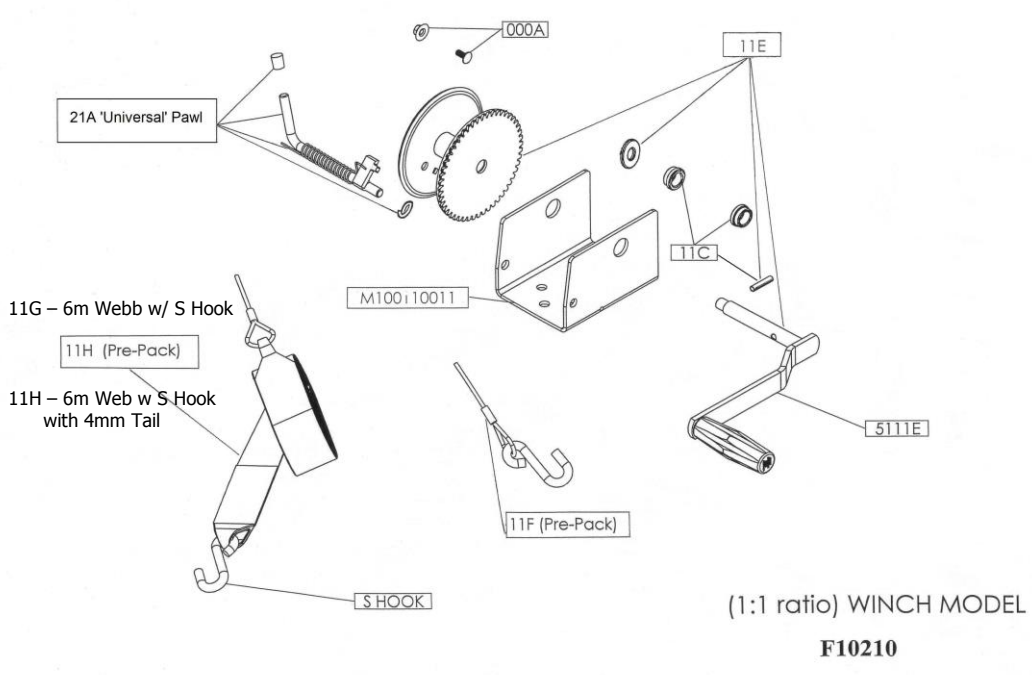
These winches are recommended for boat size up to 3.6 metre aluminium hull boat

WARNING

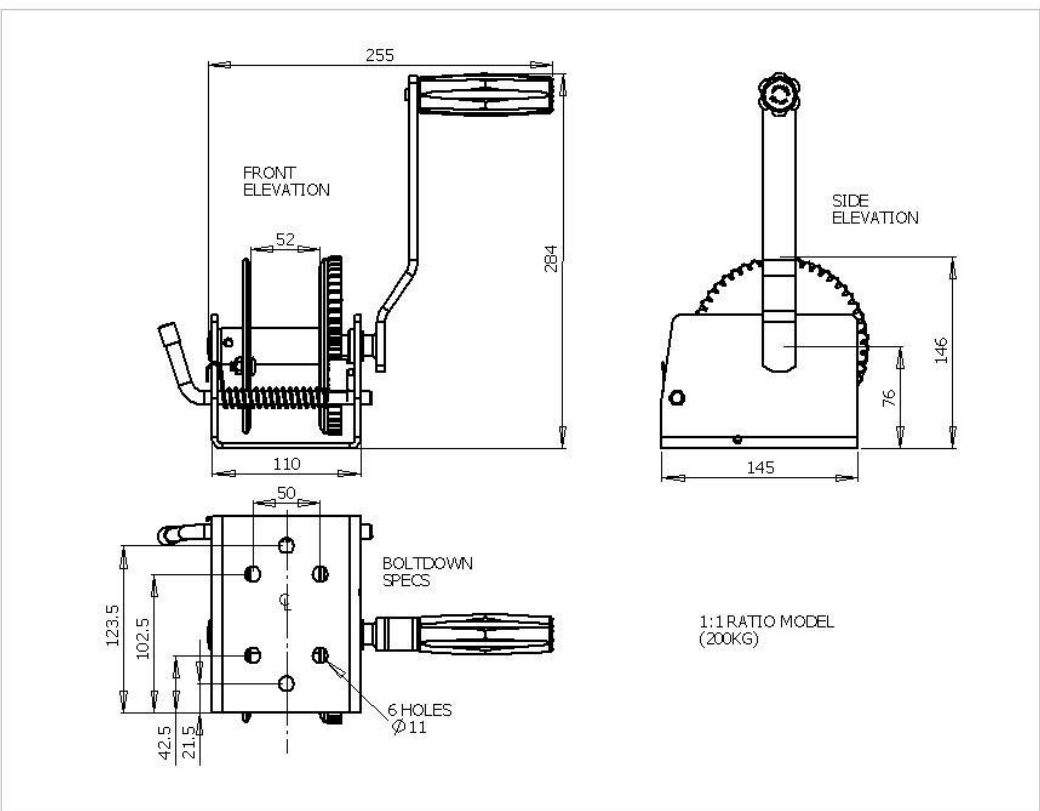
- Read and understand operating instructions before using these winches.
- Do not use the Jarrett Boat Trailer Winches for lifting purposes.
- Never lift or pull more than the rated capacities of the winches.
- Ensure cables or webbing is correctly secured before using these winches.
- Never apply a load on the winch with the cable fully extended, always ensure there is at least three full wraps of cable on the winch drum at all times.
- Always ensure the winch is securely attached to the structure and that the structure is capable of withstanding the intended load before operating the winch.
- Never apply grease or oil on the braking mechanism of the brake winch.

Jarrett Boat Trailer Winches are not designed (1) for lifting, (2) for the movement of people and (3) as a load securing device for boats on trailers

1:1 ratio model Boat Trailer Winch – Spare parts listing - F10210



Front and side elevation, and bolt-down specifications / dimensions



Jarrett Boat Trailer Winches are not designed (1) for lifting, (2) for the movement of people and (3) as a load securing device for boats on trailers

Boat Trailer Winch

3:1 ratio model (500kg)

Model:

Webbing	F10202
Fibre Rope	F10203
Winch only	F10213
Cable (Ø4mm)	F10212

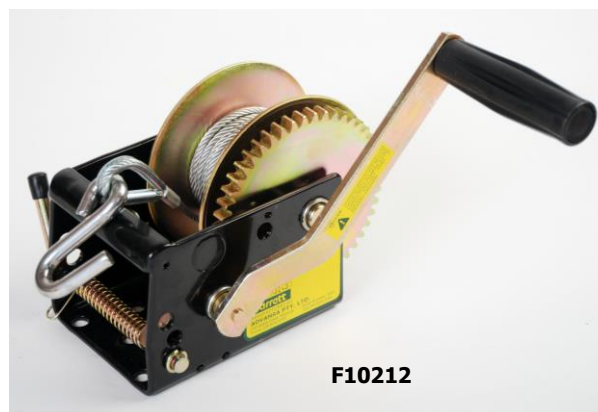
Gear Ratio

3:1

Application

Pulling

Rated Capacity	500kg (4900N)
Mass (Winch only)	3.8kg
Type of Ratchet	Lever Action
Drum Diameter	50mm
Flange Diameter	127mm
Drum Width	52mm
Maximum Cable capacity	20m x Ø4mm
Maximum Fibre Rope capacity	12m x Ø6mm
Maximum Webbing capacity	9m
Max. Effort on handle at Rated Load	20kg
Cable / Webbing / Fibre Rope Breaking Strain	1270kg / 2070kg / 2050kg
Cable (Galv) / Webbing / Fibre Rope as supplied	6m x Ø4mm / 6m / 6m x Ø6mm
Fastening Device	S-Hook



F10212

Note: These winches are not to be used for lifting

Features include:

Heavy duty 4mm winch body, Steel bushes, Machined gears, Spare parts available, Electroplated zinc cobalt, Powder coated finish

- "S" hook is not as secure as the snap hook

These winches are recommended for boat size up to 6 metres, aluminium or fibreglass hull boat, where trailer has fitted keel rollers and side wobblers.

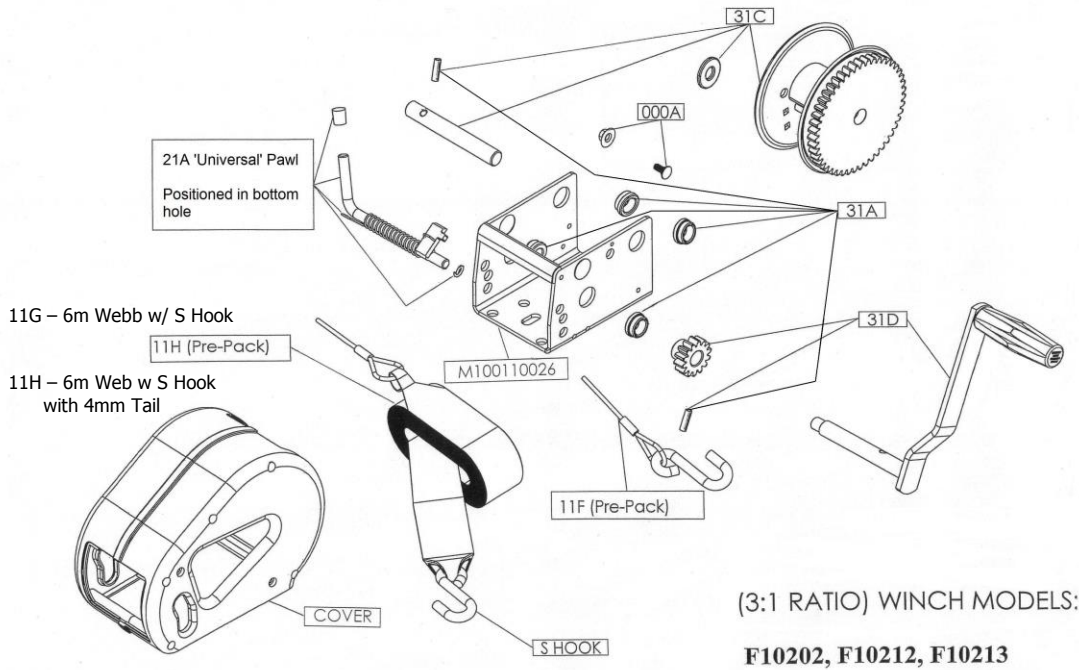
If 3:1 winch does the job but less effort is required to retrieve the boat, then the 5:1 winch is recommended.

WARNING

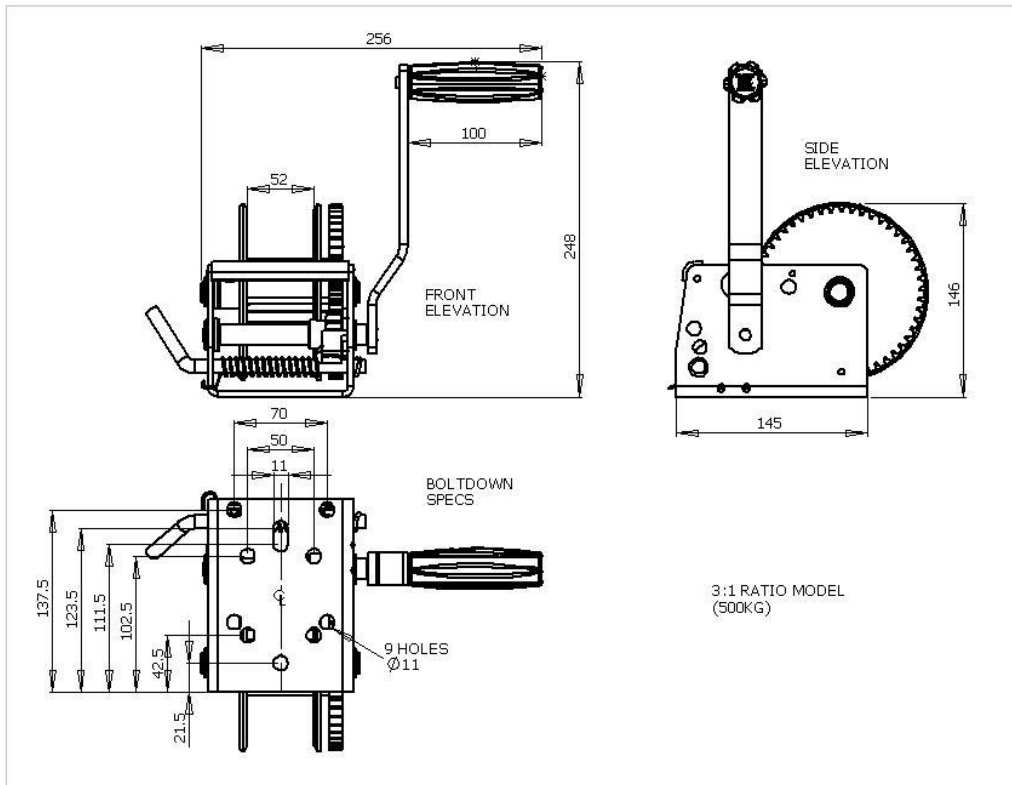
- Read and understand operating instructions before using these winches.
- Do not use the Jarrett Boat Trailer Winches for lifting purposes.
- Never lift or pull more than the rated capacities of the winches.
- Ensure cables or webbing is correctly secured before using these winches.
- Never apply a load on the winch with the cable fully extended, always ensure there is at least three full wraps of cable on the winch drum at all times.
- Always ensure the winch is securely attached to the structure and that the structure is capable of withstanding the intended load before operating the winch.
- Never apply grease or oil on the braking mechanism of the brake winch.

Jarrett Boat Trailer Winches are not designed (1) for lifting, (2) for the movement of people and (3) as a load securing device for boats on trailers

3:1 ratio model Boat Trailer Winches – Spare parts listing - F10202, F10203, F10212, F10213



Front and side elevation, and bolt-down specifications / dimensions

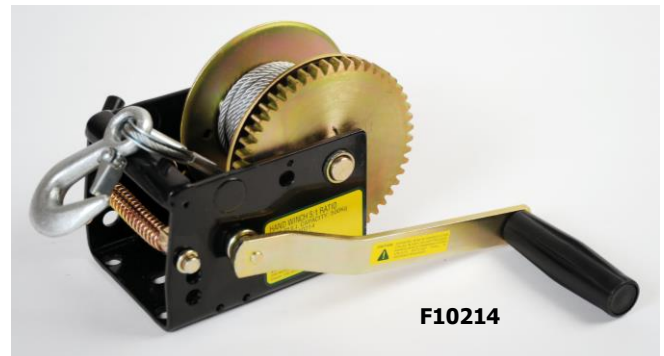


Jarrett Boat Trailer Winches are not designed (1) for lifting, (2) for the movement of people and (3) as a load securing device for boats on trailers

Boat Trailer Winch

5:1 ratio model (500 kg ~ 700kg*)

Model:	No Cover	Cover
Webbing	F10204	F10204WC
Fibre rope (Ø6mm)	F10205	
Winch only	F10215	
Cable (Ø4mm)	F10214	
Cable (Ø5mm)	F10216	
Gear Ratio	5:1	
Application	Pulling	
* Rated Capacity (using Ø5mm Cable / Webbing)	700kg (6860N)	
* Rated Capacity (using Ø6mm Fibre rope)	700kg (6860N)	
* Rated Capacity (using Ø4mm Cable)	500kg (4900N)	
Mass (Winch only)	4.1kg	
Type of Ratchet	Lever Action	
Drum Diameter	50mm	
Flange Diameter	127mm	
Drum Width	52mm	
Maximum Cable capacity	20m x Ø4mm / 15m x Ø5mm	
Maximum Fibre Rope capacity	12m x Ø6mm	
Maximum Webbing capacity	9m	
Max. Effort on handle at Rated Load	25kg	
Breaking Strain – Cable (Ø4mm / Ø5mm)	1269kg / 1855kg	
Breaking Strain – Fibre rope (Ø6mm)	2050g	
Breaking Strain – Webbing	2070kg	
Cable (Galv) / Webbing / Fibre rope as supplied	6m x Ø4mm-Ø5mm / 6m / 6m x Ø6mm	
Fastening Device	Snap Hook	



WARNING

- Read and understand operating instructions before using these winches.
- Do not use the Jarrett Boat Trailer Winches for lifting purposes.
- Never lift or pull more than the rated capacities of the winches.
- Ensure cables or webbing is correctly secured before using these winches.
- Never apply a load on the winch with the cable fully extended, always ensure there is at least three full wraps of cable on the winch drum at all times.
- Always ensure the winch is securely attached to the structure and that the structure is capable of withstanding the intended load before operating the winch.
- Never apply grease or oil on the braking mechanism of the brake winch.

Note: These winches are not to be used for lifting

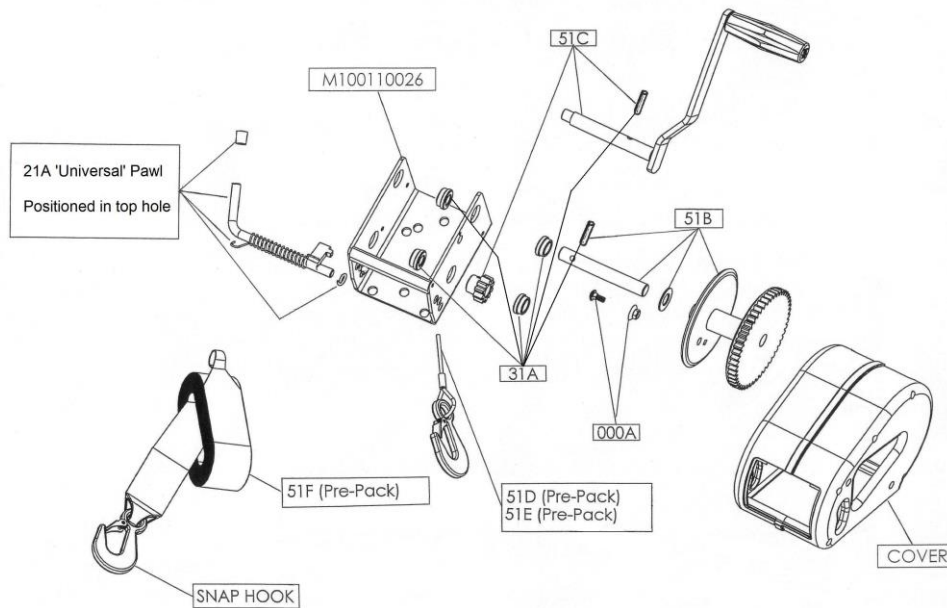
Features include:

Heavy duty 4mm winch body, Steel bushes, Machined gears, Spare parts available, Electroplated zinc cobalt, Powder coated finish

These winches are recommended for boat (outboards and inboards) size up to 6 metres, aluminium or fibreglass hull boat, where trailer design is unknown or has no keel rollers or side wobbles.

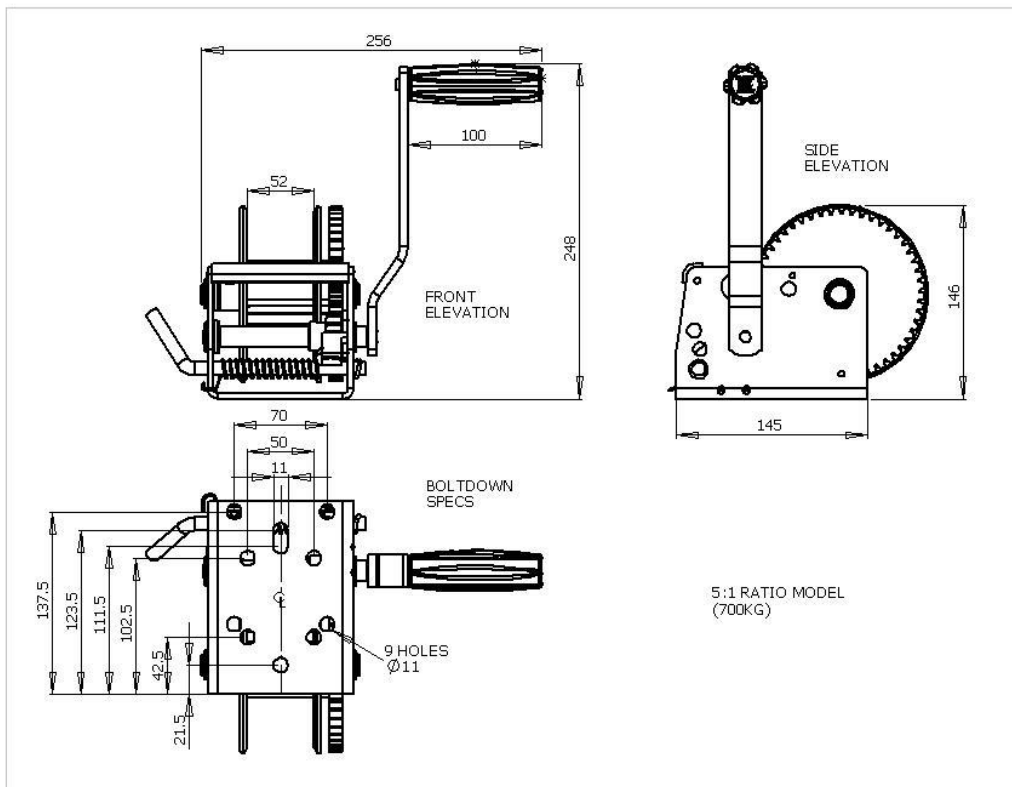
For fast slack cable retrieval, the dual ratio winch 5:1 / 1:1 (2 speed) is recommended, where the 1:1 ratio is used to retrieve slack cable then use the 5:1 to complete the retrieval of the boat.

5:1 ratio model Boat Trailer Winches – Spare parts listing - F10204, F10205, F10214, F10215, F10216



(5:1 ratio) WINCH MODELS:
F10204, F10214, F10215, F10216

Front and side elevation, and bolt-down specifications / dimensions



Jarrett Boat Trailer Winches are not designed (1) for lifting, (2) for the movement of people and (3) as a load securing device for boats on trailers

Boat Trailer Winch

2 speed 5:1 / 1:1 ratio model (700kg)

Model:	No Cover	Cover
Webbing	F10206	F10206WC
Fibre Rope	F10207	
Winch only	F10218	
Cable (Ø5mm)	F10217	

Gear Ratio 5:1 / 1:1

Application Pulling

Rated Capacity (using Ø5mm Cable)	700kg (6860N)
Rated Capacity (using Ø6mm Fibre Rope)	700kg (6860N)
Rated Capacity (using Webbing)	700kg (6860N)

Mass (Winch only) 4.1kg

Type of Ratchet Lever Action

Drum Diameter 50mm

Flange Diameter 127mm

Drum Width 52mm

Maximum Cable capacity 15m x Ø5mm

Maximum Fibre Rope capacity 12m x Ø6mm

Maximum Webbing capacity 9m

Max. Effort on handle at Rated Load 25kg

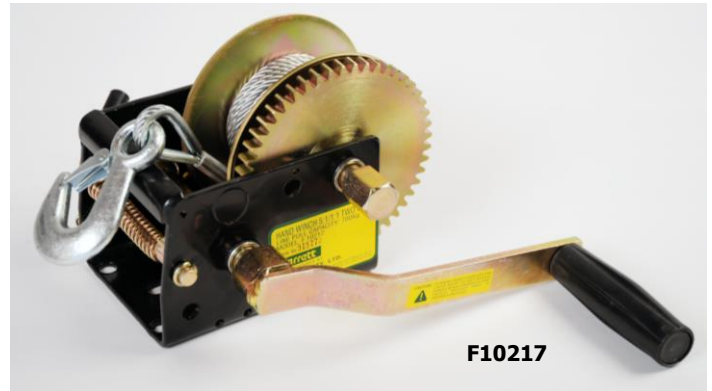
Breaking Strain – Cable (Ø5mm) 1855kg

Breaking Strain – Fibre Rope (Ø6mm) 2050kg

Breaking Strain – Webbing 2070kg

Cable (Galv) / Webbing / Fibre Rope as supplied 6m x Ø5mm / 6m / 6m x Ø6mm

Fastening Device Snap Hook



WARNING

- Read and understand operating instructions before using these winches.
- Do not use the Jarrett Boat Trailer Winches for lifting purposes.
- Never lift or pull more than the rated capacities of the winches.
- Ensure cables or webbing is correctly secured before using these winches.
- Never apply a load on the winch with the cable fully extended, always ensure there is at least three full wraps of cable on the winch drum at all times.
- Always ensure the winch is securely attached to the structure and that the structure is capable of withstanding the intended load before operating the winch.
- Never apply grease or oil on the braking mechanism of the brake winch.

Note: These winches are not to be used for lifting

Features include:

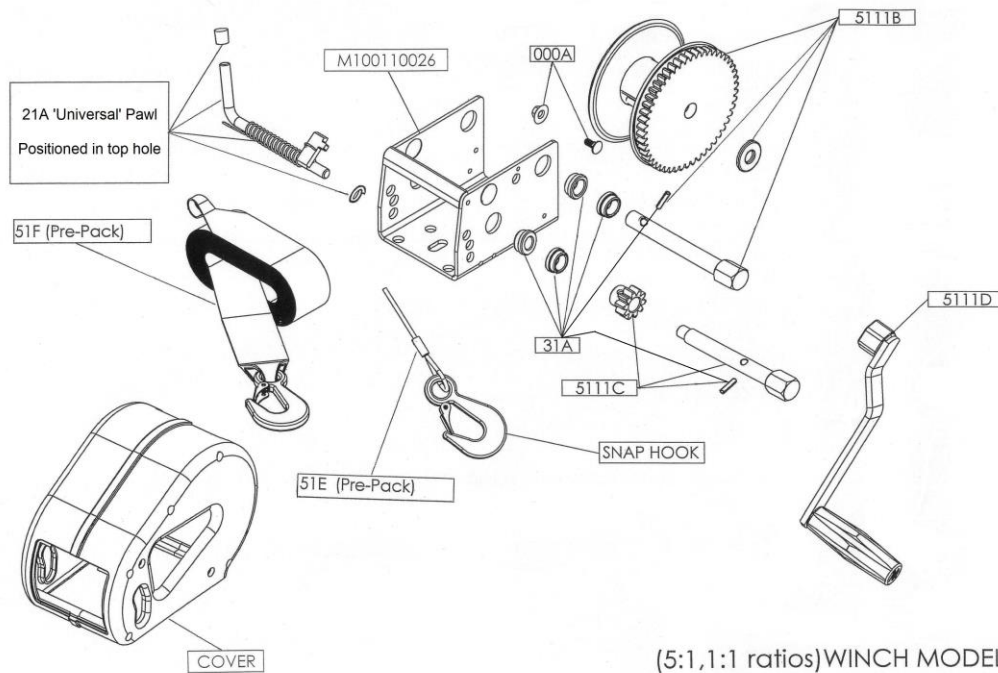
Heavy duty 4mm winch body, Steel bushes, Machined gears, Spare parts available, Electroplated zinc cobalt, Powder coated finish, Detachable handle

These winches are recommended for boat size up to 6 metres, aluminium or fibreglass hull boat, where trailer design is unknown or has no keel rollers or side wobbles.

For fast slack cable retrieval, use the 1:1 ratio to retrieve slack cable, when the cable becomes under a load too heavy to operate then use the 5:1 to complete the retrieval of the boat.

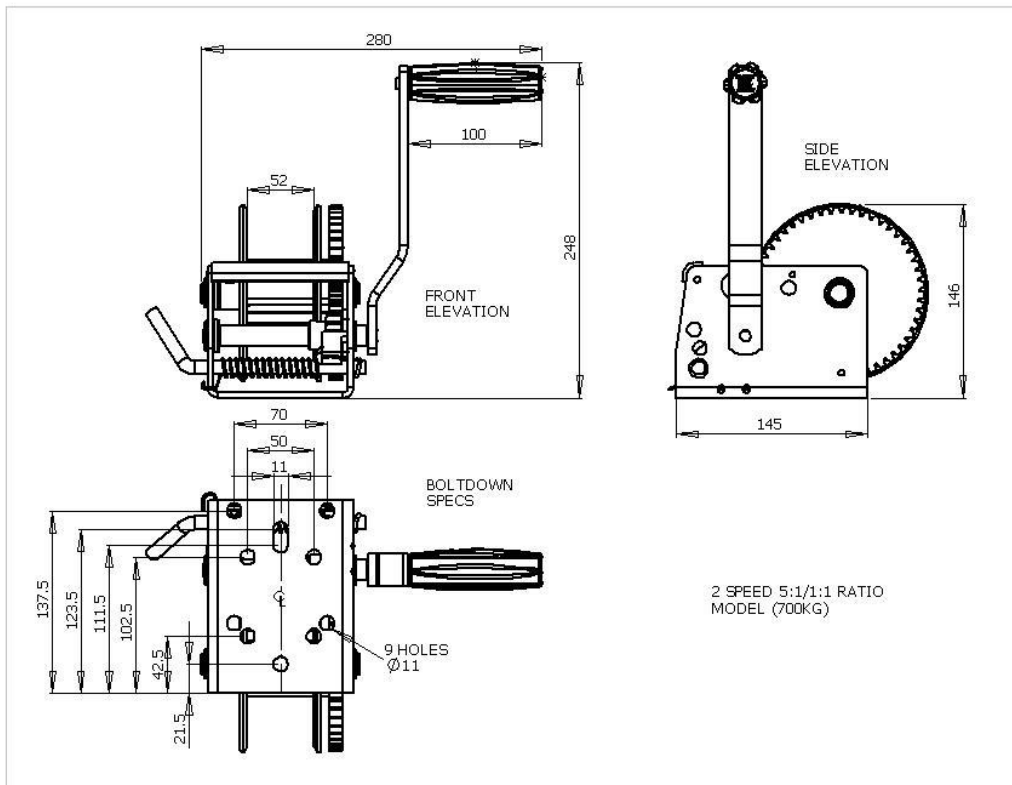
The winch is equipped with removable handle for change of ratio option.

2 speed 5:1 / 1:1 ratio model Boat Trailer Winches – Spare parts listing - F10206, F10207, F10217, F10218



(5:1, 1:1 ratios) WINCH MODELS:
F10206, F10217, F10218

Front and side elevation, and bolt-down specifications / dimensions



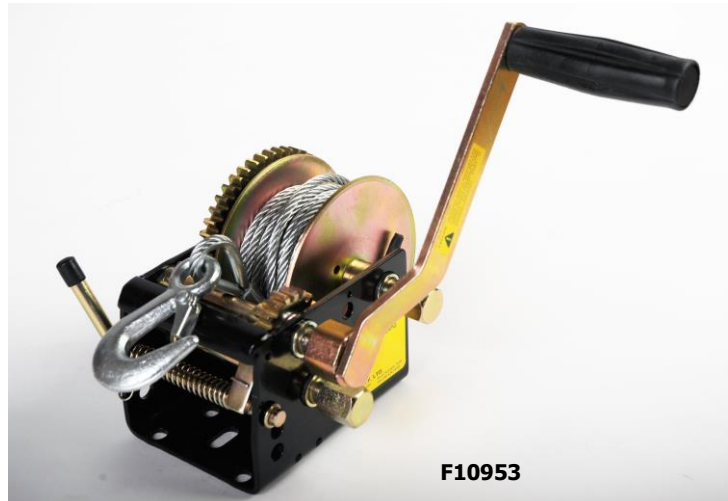
Jarrett Boat Trailer Winches are not designed (1) for lifting, (2) for the movement of people and (3) as a load securing device for boats on trailers

Boat Trailer Winch

3 speed - 10:1 / 5:1 / 1:1 ratio model (800-1000kg*)

Model:	No Cover	Cover
Webbing	F10952	F10952WC
Fibre Rope (Ø6mm)	F10949	
Winch only	F10951	
Cable (Ø5mm)	F10950	
Cable (Ø6mm)	F10953	
Gear Ratio	10:1 / 5:1 / 1:1	
Application	Pulling	
Rated Capacity	800kg-1000kg	

- **F10949** Winch rated at 800kg capacity
- **F10950** Winch rated at 800kg capacity
- **F10952** Winch rated at 800kg capacity
- **F10953** Winch rated at 1000kg capacity using Ø6mm cable only
- **F10951** Winch capacity is dependent on item used for pulling but capacity cannot exceed respective above limits



Mass (Winch only)	5kg
Type of Ratchet	Lever Action
Drum Diameter	50mm
Flange Diameter	127mm
Drum Width	52mm
Maximum Cable Capacity	15m x Ø5mm / 12m x Ø6mm
Maximum Fibre Rope / Webbing Capacity	12m x Ø6mm / 9m
Max. Effort on handle at Rated Load	18kg
Breaking Strain – Cable (Ø5mm / Ø6mm)	1855kg / 2712kg
Breaking Strain – Fibre rope (Ø6mm)	2050kg
Breaking Strain – Webbing	2070kg
Cable (Galv) as supplied	7.5m x Ø5mm-Ø6mm
Webbing / Fibre Rope as supplied	7.5m / 7.5m x Ø6mm
Fastening Device	Snap Hook

Note: These winches are not to be used for lifting

Features include:

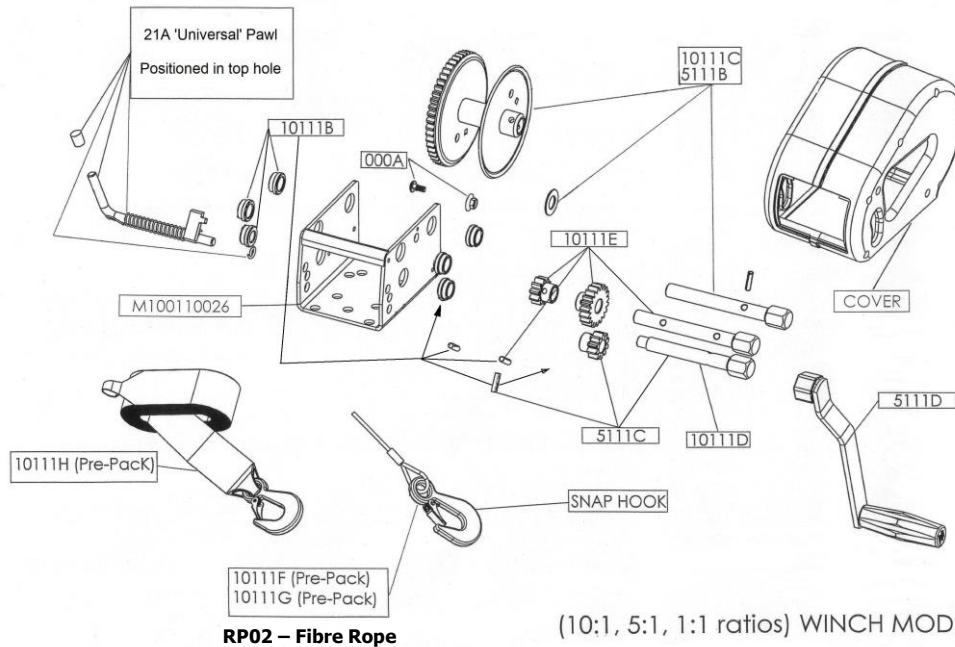
Heavy duty 4mm winch body, Steel bushes, Machined gears, Spare parts available, Electroplated zinc cobalt, Powder coated finish, Detachable handle - Handle position interchangeable to change gear ratio.

These winches are recommended for any boat size over 6 metres. 3 in 1 ratio winch, 1:1 for fast retrieval of slack cable, 5:1 ratio which should retrieve the boat approx. two thirds up the trailer, when handle effort becomes uncomfortable, then use 10:1 ratio to complete the retrieval of the boat.

WARNING

- Read and understand operating instructions before using these winches.
- Do not use the Jarrett Boat Trailer Winches for lifting purposes.
- Never lift or pull more than the rated capacities of the winches.
- Ensure cables or webbing is correctly secured before using these winches.
- Never apply a load on the winch with the cable fully extended, always ensure there is at least three full wraps of cable on the winch drum at all times.
- Always ensure the winch is securely attached to the structure and that the structure is capable of withstanding the intended load before operating the winch.
- Never apply grease or oil on the braking mechanism of the brake winch.

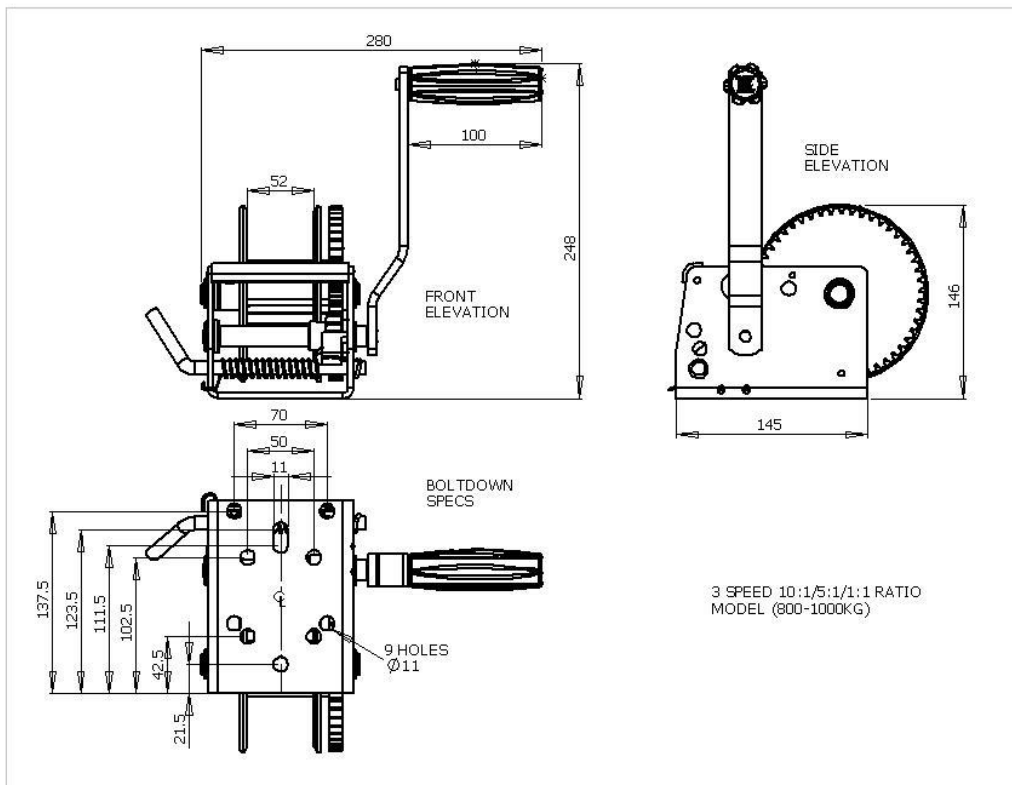
3 speed 10:1 / 5:1 / 1:1 ratio model Boat Trailer Winches – Spare parts listing - F10949, F10950, F10951, F10952, F10953



(10:1, 5:1, 1:1 ratios) WINCH MODELS

F10950, F10951, F10952, F10953, F10949

Front and side elevation, and bolt-down specifications / dimensions



Jarrett Boat Trailer Winches are not designed (1) for lifting, (2) for the movement of people and (3) as a load securing device for boats on trailers

Jarrett Winch Fibre Rope Details

X6 Fibre Rope (DynIce 75)

General Information

The ropes are impregnated with Duracoat to improve abrasion resistance and endurance.

Diameter of rope (mm)	Weight pr. 100 metres (kg)	Minimum breaking strength		Minimum breaking strength (assy in Jarrett Winches)	
		(tonne)	(kN)	(tonne)	(kN)
6	2.3	4.2	40.8	2.05	20.0

DYNICE Rope Constructions and Properties

Hampidjan's DYNICE 75 ropes are made from DSM's *Dyneema*® SK75 fibres. The main focus is on the 12-strand braided ropes which have proven very popular for their roundness and smooth surface.

- These ropes combine good strength retention with good flexibility and dynamic properties.
- Termination is easy through splicing where up to 90% of linear strength is retained.

DYNICE fibre ropes:

- exceed the strength of steel wire ropes of same diameter while floating on water.
- have low elongation properties
- are extremely flexible, yielding easy handling in all respects.
- have good UV resistance and excellent resistance to chemicals.

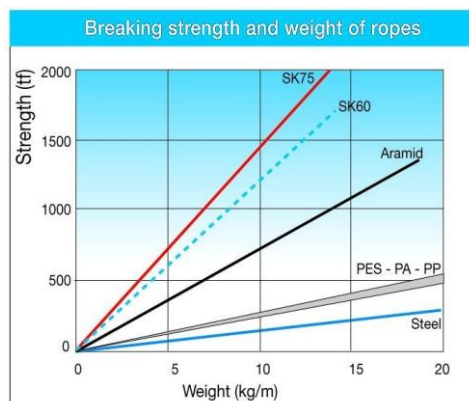


• **DYNICE 75 12-strand braided rope**

Dyneema SK75 Fibre Properties

Density	0.97 g/cm ³
Tenacity	3.5 N/tex
Modulus	120 N/tex
Elongation	3.7%
Melting point	144-152°C
Resistance to chemicals	Excellent
UV resistance	Good
Flexibility	Good

HAMPIDJAN



Tested in accordance with OCIMF specifications

Jarrett Boat Trailer Winches are not designed (1) for lifting, (2) for the movement of people and (3) as a load securing device for boats on trailers