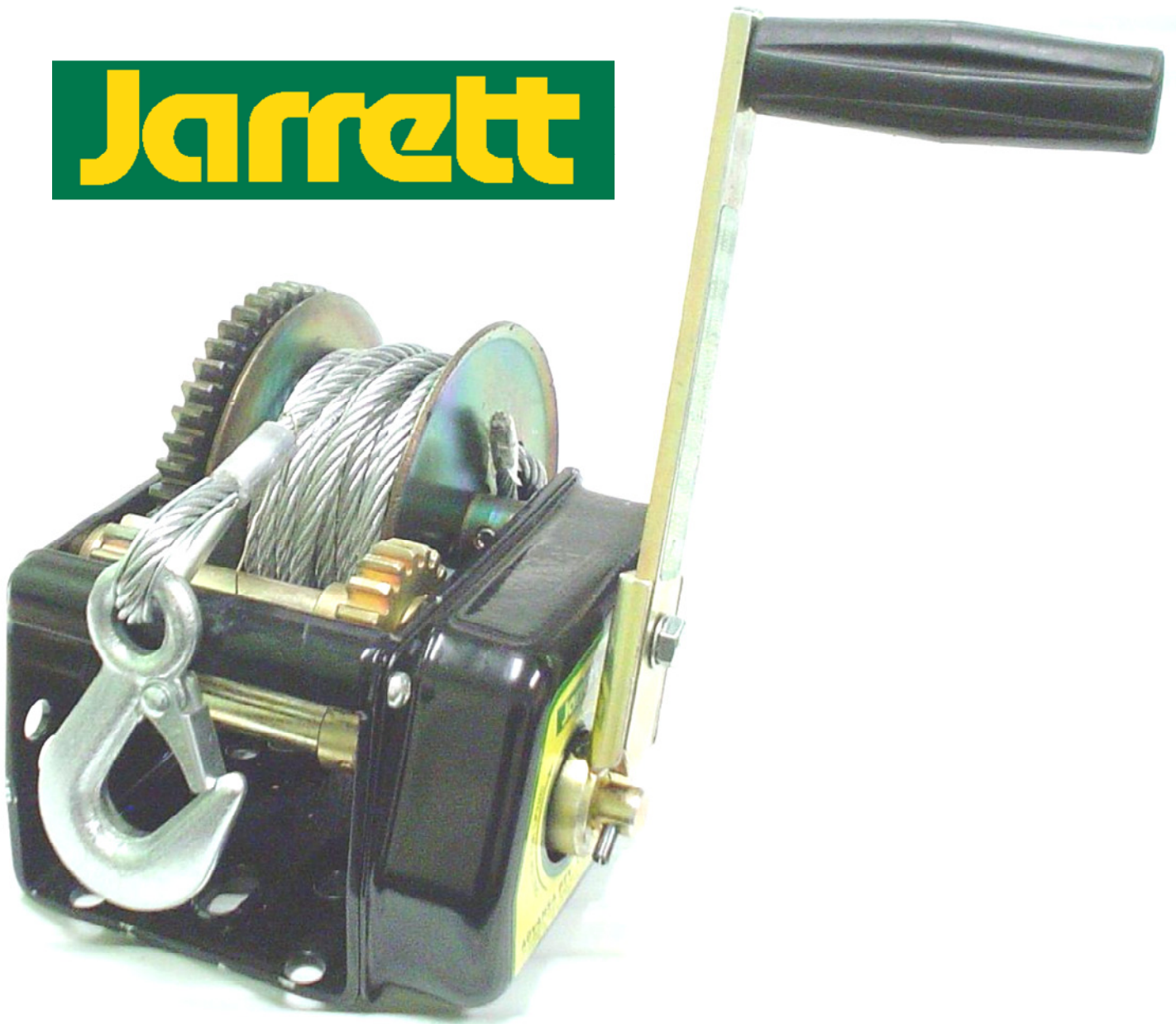


# Jarrett



## Jarrett Industrial and Safety Winch Catalogue

advansa

## Contents

<b>Jarrett Winch Selection Guide</b>	<b>2</b>
<b>At a glance .....</b>	<b>3</b>
<b>Safety Information</b>	<b>4</b>
<b>Brake Winches</b>	
<b>8000 series - 3:1 / 5:1 / 10:1 ratio models (200kg – 500kg)</b>	<b>5</b>
<b>600 series - 8:1 / 15:1 ratio models (630kg-1250kg)</b>	<b>8</b>

**Please note** that all goods are supplied by Advansa Pty Ltd to the Purchaser for use only in applications and purposes for which they were originally designed. Advansa Pty Ltd is not liable for any consequential loss whatsoever from improper or inappropriate use of the goods supplied, where the goods are used for purposes beyond or outside of the scope of application for which they were designed and which exceeds their designed performance limit. At all times please consult Advansa Pty Ltd if unsure of the suitability of the goods for your intended application.

### Jarrett Winches and Cranes - Warranty

Our goods come with guarantees that cannot be excluded under the Australian Consumer Law. You are entitled to a replacement or refund for a major failure and compensation for any other reasonably foreseeable loss or damage. You are also entitled to have the goods repaired or replaced if the goods fail to be of acceptable quality and the failure does not amount to a major failure.

**Advansa Pty Ltd Winch Warranty Policy:** The Warranty is for the period of twelve months on Jarrett winches / cranes providing it is used for the purpose that it was designed for. Any repairs, alterations, modifications or misuse of the winches / cranes will void the warranty. Winches / cranes will be repaired under warranty providing proof of purchase is supplied. No credits or replacements will be issued except with approval from Advansa Pty Ltd.

Should you wish to make a claim under this guarantee, the product and proof of purchase must be returned pre-paid by you to the place of purchase.

The Company will liaise with Advansa Customer Service (Ph: 08 8243 9100) as to the appropriate action for remedy, detailing

- Consumer name, address and contact number
- Product description, product code, serial number(s) and warranty issue

Where appropriate, the Customer Service Department will advise the Company of the method to return the product to Advansa. The freight cost from Advansa's customer to Advansa will be at Advansa's expense. On receipt of the defective product, either the repaired product or a replacement product will then be delivered to the Company at Advansa's expense.


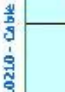
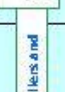
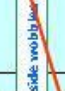
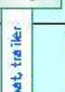
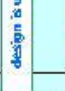
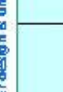
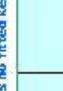
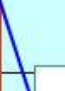



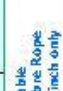
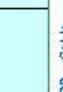
All other related expenses will not be borne by Advansa.

The benefits to the consumer given by the warranty are in addition to other rights and remedies of the consumer under a law in relation to the goods to which the warranty relates.

Jarrett Winches and Cranes are not designed for the movement of people

# Jarrett

## BOAT TRAILER WINCHES & BRAKE WINCHES - WINCH SELECTION GUIDE -

	200kg	300kg	500kg	630kg	700kg	800kg	1000kg	1250kg
<b>BOAT TRAILER WINCHES – Pulling operation</b>								
<b>1:1 Ratio Winch</b> - For boat size up to 3.6 metre aluminium hull boat								
<b>3:1 Ratio Winch</b> - For boat size up to 6 metre aluminium / fibreglass hull boat, trailer has fitted keel rollers and side wobbler								
<b>5:1 Ratio Winch</b> - For boat (outboards / inboards) size up to 6 metre aluminium / fibreglass hull boat, trailer								
<b>2 speed 5:1 &amp; 1:1 Ratio Winch</b> - For boat size up to 6 metre aluminium / fibreglass hull boat, trailer design is unknown or has no fitted keel rollers								
<b>3 speed 10:1, 5:1 &amp; 1:1 Ratio Winch</b> - For any boat size over 6 metres								
<b>BRAKE WINCHES – Lifting, Lowering</b>								
<b>600 Series 8:1 Ratio Brake Winch</b>								
<b>600 Series 15:1 Ratio Brake Winch</b>								
<b>8000 Series 3:1 Ratio Brake Winch</b>								
<b>8000 Series 5:1 Ratio Brake Winch</b>								
<b>8000 Series 10:1 Ratio Brake Winch</b>								

For more information, please contact your local distributor or Advansa Customer Service

Advansa Pty Ltd, 289 Halfax Street, Adelaide 5000 (T) +61 (0)8 8243 9100 (F) +61 (0)8 8243 9135 Email: sales@advansa.com.au Web: www.advansa.com.au Toll Free Sales: 1 300 135 935



Jarrett Winches and Cranes are not designed for the movement of people

## AT A GLANCE . . . . .

### Brake Winches

Product Code	Model	Cable / Rope size	Cable/Rope supplied	Cable /Rope length - max.	Gear ratio	Application	Rated Capacity	Cable/Rope breaking strain	Max. effort on handle @ rated load
<b>8000 Series Brake Winch</b>									
F18210	Cable	5mm	7.5m	15m	3:1	Lifting	200kg (1960N)	1855kg	22.8kg
F18215	Fibre Rope	6mm	7.5m	12m	3:1	Lifting	200kg (1960N)	2050kg	22.8kg
F18220	Winch only				3:1	Lifting	200kg (1960N)		22.8kg
F18230	Cable	5mm	7.5m	15m	5:1	Lifting	300kg (2940N)	1855kg	26kg
F18235	Fibre Rope	6mm	7.5m	12m	5:1	Lifting	300kg (2940N)	2050kg	26kg
F18240	Winch only				5:1	Lifting	300kg (2940N)		26kg
F18260	Cable	6mm	7.5m	12m	10:1	Lifting	500kg (4900N)	2712kg	18kg
F18265	Fibre Rope	6mm	7.5m	12m	10:1	Lifting	500kg (4900N)	2050kg	18kg
F18280	Winch only				10:1	Lifting	500kg (4900N)		18kg
<b>600 Series Brake Winch</b>									
F11620	Winch only	6mm 8mm 10mm		45m 22m 15m	8:1	Lifting	630kg (6174N)		19kg
F11650	Winch only	6mm 8mm 10mm		45m 22m 15m	15:1	Lifting	1250kg (12250N)		22kg

Jarrett Winches and Cranes are not designed for the movement of people

## Important Safety Information

### DO the following:

Read carefully and comply with the guidelines set forth in the Owner's Manual.

Keep hands away from the drum, gears, wire cable, and other moving parts of the equipment.

Keep all unnecessary personnel away from the winch while in operation.

Keep out of the path of the load should the wire cable break and snap back and cause injury.

### DO NOT do the following:

Do not lift people, or objects over people. Do not walk or work under a load or in the line of force of any load.

Do not exceed the load rating of the winch or any other component in the system. To do so could result in failure of the equipment.

Do not use more than one winch to move a load that exceeds the load rating of a single winch. A shift in load weight could overload the equipment.

Do not use damaged or malfunctioning equipment. To do so could result in failure of the equipment.

Do not modify the equipment in any way. To do so could cause equipment failure.

Do not lubricate (oil or grease) the braking mechanism of the brake winch.

Do not apply a load on the winch with the wire cable / fibre rope fully extended. Keep at least three full turns of cable / fibre rope on the drum.

Do not wrap the wire cable / fibre rope around the load. This may damage the wire cable / fibre rope and could cause the load to fall. Use a sling or other approved lifting device.

Do not operate the winch with guards removed or improperly installed.

Do not divert your attention from the operation. Stay alert to the possibility of accidents, and try to prevent them from happening.

Do not jerk or swing the load. Avoid shock loads by starting and stopping the load smoothly. Shock loads overload the equipment and may cause damage.

Do not leave a suspended load unattended unless specific precautions have been undertaken and keep people away from the winch and out from under the load.

**Please note** that all goods are supplied by the Advansa to the Customer for use only in applications and purposes for which they were originally designed. Advansa is not liable for any consequential loss whatsoever from improper or inappropriate use of the goods supplied, where the goods are used for purposes beyond or outside of the scope of application for which they were designed and which exceeds their designed performance limit. At all times please consult Advansa if unsure of the suitability of the goods for your intended application.

## 8000 Series Brake Winch

3:1 / 5:1 / 10:1 ratio models (200-500kg)

**Model:**

Cable	F18210	F18230	F18260
Fibre Rope	F18215	F18235	F18265
Winch only	F18220	F18240	F18280
<b>Gear Ratio</b>	<b>3:1</b>	<b>5:1</b>	<b>10:1</b>
<b>Application</b>	<b>Lifting</b>	<b>Lifting</b>	<b>Lifting</b>
Rated Capacity	200kg (1960N)	300kg (2940N)	500kg (4900N)
Mass (Winch only)	6kg	6kg	6kg
Type of Brake	Self Actuating	Self Actuating	Self Actuating
Drum Diameter	50mm	50mm	50mm
Flange Diameter	130mm	130mm	130mm
Drum Width	52mm	52mm	52mm
Cable size	Ø5mm	Ø5mm	Ø6mm
Fibre Rope size	Ø6mm	Ø6mm	Ø6mm
Maximum Cable Capacity	15m x Ø5mm	15m x Ø5mm	12m x Ø6mm
Maximum Fibre Rope Capacity	12m x Ø6mm	12m x Ø6mm	12m x Ø6mm
Max. Effort on handle at Rated Load	22.8 kg	26kg	18kg
Cable Breaking Strain	1855kg	1855kg	2712kg
Fibre Rope Breaking Strain	2050kg	2050kg	2050kg
Cable (Galv) as supplied	7.5m x Ø5mm	7.5m x Ø5mm	7.5m x Ø6mm
Fibre Rope as supplied	7.5m x Ø6mm	7.5m x Ø6mm	7.5m x Ø6mm
Fastening Device	Snap Hook	Snap Hook	Snap Hook



**F18230**

**WARNING**

- Read and understand operating instructions before using these winches.
- Do not use the Jarrett Boat Trailer Winches for lifting purposes.
- Never lift or pull more than the rated capacities of the winches.
- Ensure cables or webbing is correctly secured before using these winches.
- Never apply a load on the winch with the cable fully extended, always ensure there is at least three full wraps of cable on the winch drum at all times.
- Always ensure the winch is securely attached to the structure and that the structure is capable of withstanding the intended load before operating the winch.
- Never apply grease or oil on the braking mechanism of the brake winch.

**Notes:**

*Features include:*

Heavy duty 4mm winch body, Steel bushes, Self actuating brake mechanism, Fully enclosed brake, Spare parts available, Electroplated zinc cobalt, Powder coated finish, Detachable handle.

**F18230** is used on 300kg Backsaver Crane – Product Code: F12643

**F18260** is used on 500kg Backsaver Crane – Product Code: F19001

Recommended for lifting applications.

**Note:** Common user problem with this range of winches is the brake mechanism does not work when first assembled. When packaged, the winch and handle are separate and need to be assembled **as per the instructions included**. (see below and next page).

**Handle Assembly:**

The handle adaptor is turned clockwise until the ratchet is engaged **prior to** attaching the handle and securing with screw.

**Self actuating brake requires a minimum of 18kg to operate safely.**



**F18260**

Jarrett Winches and Cranes are not designed for the movement of people

### Attaching handle to the 8000 Series Brake Winch

**Note: Handle instructions (below) are included in packaging**

**ADVANSA PTY LTD©**

**CAUTION: ATTACH HANDLE TO WINCH USING EASY STEPS BELOW.**

STEP 1:- TURN HANDLE ADAPTOR CLOCKWISE UNTIL RATCHET HAS ENGAGED.

STEP 2:- ATTACH THE HANDLE ONCE THE RATCHET HAS ENGAGED



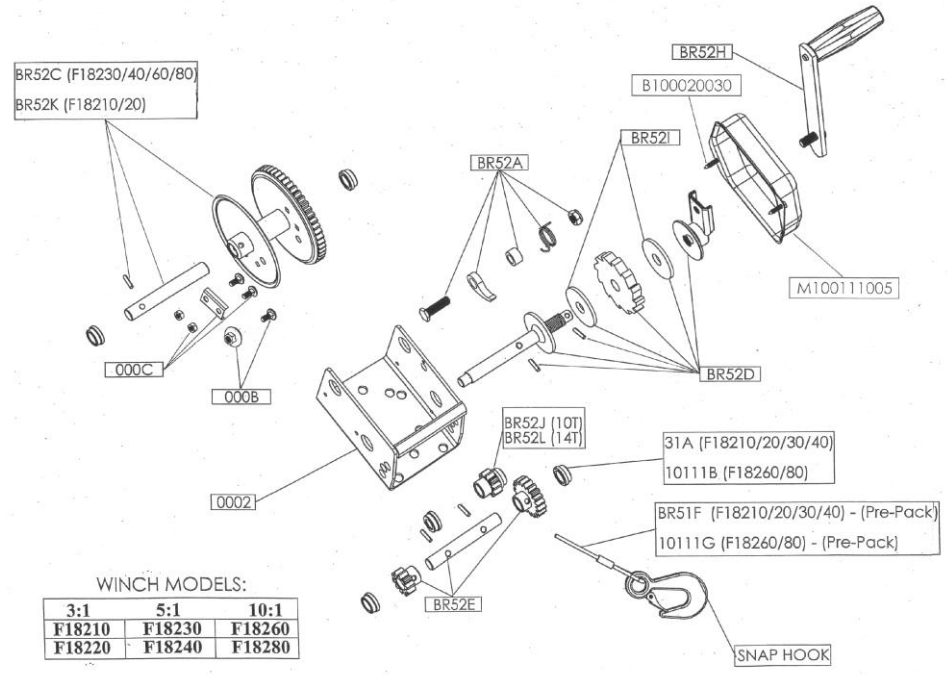
SHOULD ANY DIFFICULTIES BE ENCOUNTERED, PLEASE CONTACT OUR CUSTOMER SERVICE DEPARTMENT ON +61 8 8243 9100



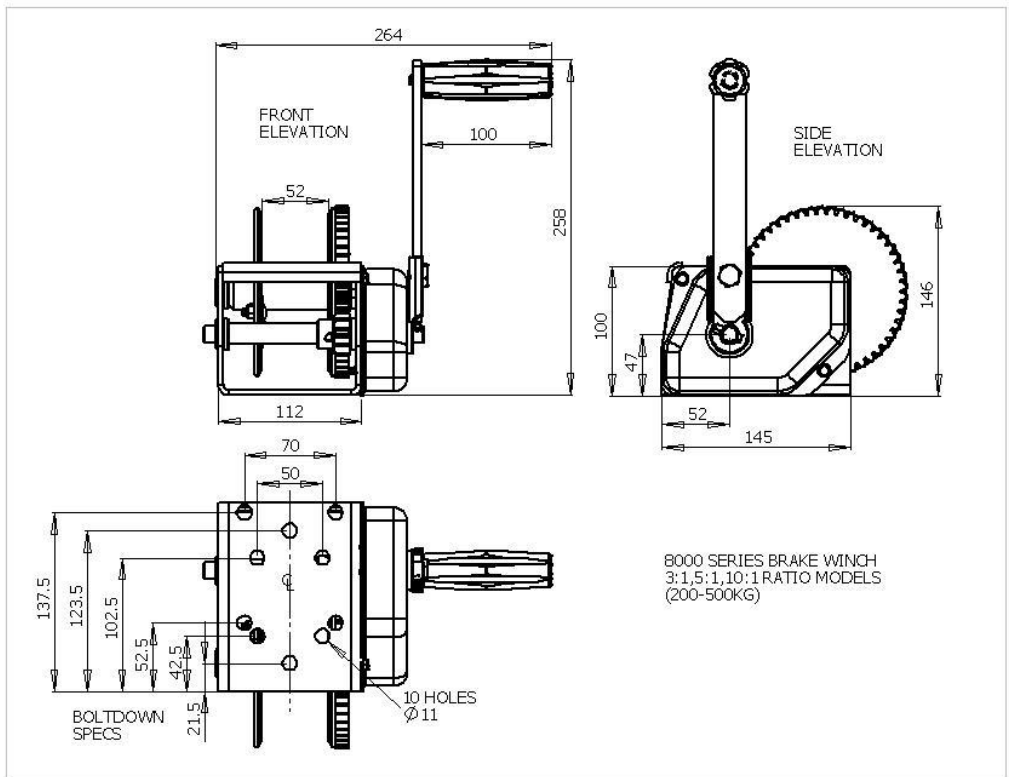
**An F18260 Brake Winch mounted on a F19001 Backsaver Crane**

Jarrett Winches and Cranes are not designed for the movement of people

**8000 Series Brake Winches - Spare parts listing**  
 – F18210, F18215, 18220, F18230, F18235, F18240, F18260, F18265, F18280



**Front and side elevation, and bolt-down specifications / dimensions**



Jarrett Winches and Cranes are not designed for the movement of people



## 600 Series Brake Winch

8:1 / 15:1 ratio models (630 & 1250kg)

**Model:**

Winch only	F11620	F11650
<b>Gear Ratio</b>	<b>8:1</b>	<b>15:1</b>
<b>Application</b>	<b>Lifting / Pulling</b>	<b>Lifting / Pulling</b>
Rated Lifting Capacity	630kg (6174N)	1250kg (12250N)
Mass (Winch only)	20kg	26kg
Type of Brake	Self Actuating	Self Actuating
Drum Diameter	100mm	100mm
Flange Diameter	180mm	180mm
Drum Width	135mm	135mm
Maximum Cable Capacity (Ø 6mm)	45m not sup	45m not sup
Maximum Cable Capacity (Ø 8mm)	22m not sup	22m not sup
Maximum Cable Capacity (Ø 10mm)	15m not sup	15m not sup
Max. Effort on handle at Rated Load	19kg	22kg



Recommended minimum galvanised steel core cable to be fitted to winch	G2070 7/19	G2070 7/19
---	------------	------------

Minimum cable sizes for 600 series Brake Winches:

Cable (to above type) breaking strain	Ø 6mm	2712kg	Min. size for F11620
	Ø 8mm	3390kg	Min. size for F11650
	Ø 10mm	5300kg	

**WARNING**

- Read and understand operating instructions before using these winches.
- Do not use the Jarrett Boat Trailer Winches for lifting purposes.
- Never lift or pull more than the rated capacities of the winches.
- Ensure cables or webbing is correctly secured before using these winches.
- Never apply a load on the winch with the cable fully extended, always ensure there is at least three full wraps of cable on the winch drum at all times.
- Always ensure the winch is securely attached to the structure and that the structure is capable of withstanding the intended load before operating the winch.
- Never apply grease or oil on the braking mechanism of the brake winch.

**Notes:**

This tough, long lasting Aussie winch is fitted with an automatic load actuated brake to make the toughest job easier when lifting and lowering loads.

The Jarrett '600' series large drum capacity load brake winch contains a self activated, dual friction mechanism that automatically locks the load in position when the handle is released. This allows the operator total control over the winch, whilst preventing accidental loss of load and at the same time eliminates the danger of free spinning handle.

*Features include:*

Heavy duty 4mm winch body, Steel bushes, Self actuating brake mechanism, Heavy duty friction disc pads, Spare parts available, Electroplated zinc cobalt, Powder coated finish, Detachable handle

Webbing cannot be used on these winches

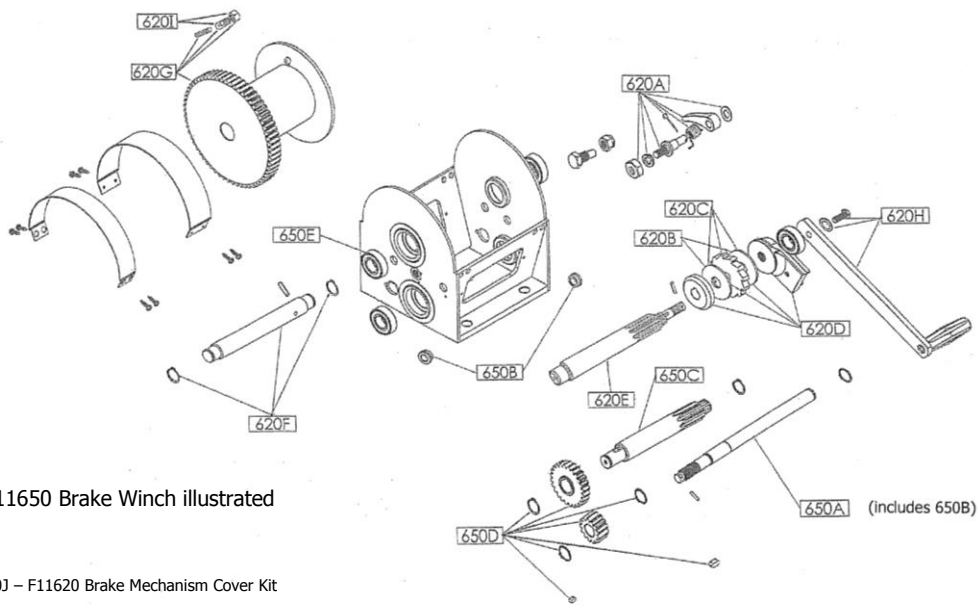
Suitable for rural and farming applications

**Self actuating brake requires a minimum of 18kg to operate safely.**



Jarrett Winches and Cranes are not designed for the movement of people

**600 Series Brake Winches - Spare parts listing**

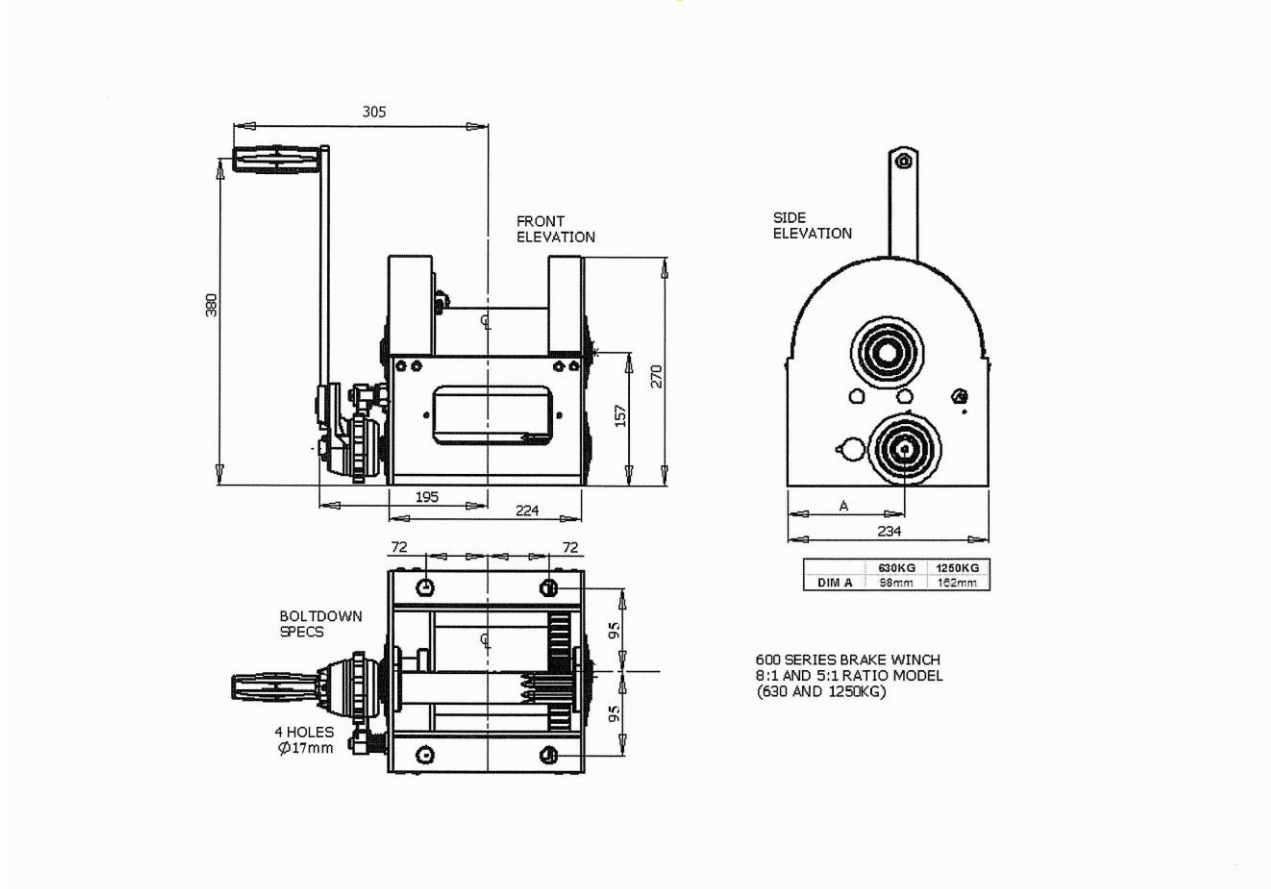


F11650 Brake Winch illustrated

- 620J – F11620 Brake Mechanism Cover Kit
- 650F – F11650 Brake Mechanism Cover Kit

WINCH MODELS:  
 F11620 (630kg), F11650 (1250kg)

**Front and side elevation, and bolt-down specifications / dimensions**



Jarrett Winches and Cranes are not designed for the movement of people

## Notes

Jarrett Winches and Cranes are not designed for the movement of people

The Advansa logo features the word "advansa" in a bold, white, lowercase sans-serif font. A small, yellow, curved line is positioned above the letter 'a' at the end of the word.

**advansa**

**(T) +61 (0)8 8243 9100**

**(F) +61 (0)8 8243 9185**

**Toll Free: 1300 135 935**

**Email: [sales@advansa.com.au](mailto:sales@advansa.com.au)**

**Web: [www.advansa.com.au](http://www.advansa.com.au)**