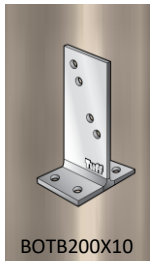
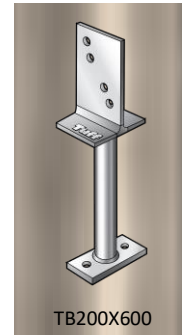
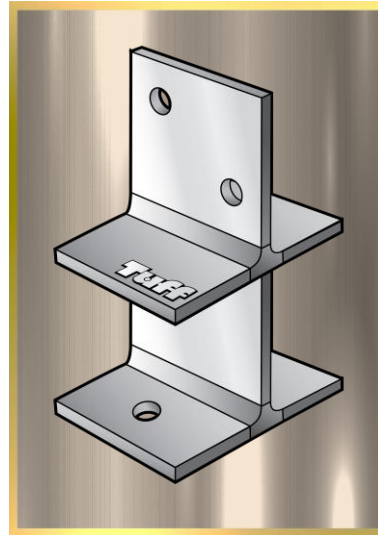
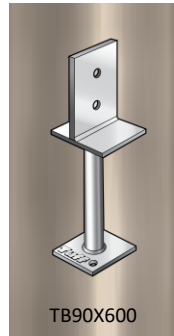
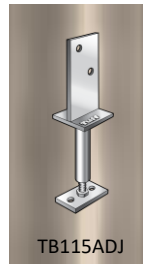


TBXSM150

T BLADE, EXTRA HEAVY DUTY, SURFACE MOUNT



| | |
|-----------------|----------------------|
| PRODUCT CODE | : TBXSM150 |
| BARCODE | : 9314691804986 |
| BLADE SIZE | : 150MM X 150MM |
| POST SIDE | : 150MM |
| BLADE HOLE SIZE | : M12 |
| BASE HOLE SIZE | : M16 |
| MADE FROM | : 10MM |
| FINISHING | : HOT DIP GALVANISED |

NOTES:

- IDEAL FOR PERGOLA, CARPORT AND VERANDA POSTS
- PRIMARILY USED FOR BOLTING TO EXISTING TIMBER DECKING OR CONCRETE BASE
- HAS 4 HOLES – 2 X M16 HOLES IN THE BASE AND 2 X M12 HOLES IN THE BLADE